

Service Service Service

Product Service Group CE Audio

Service Information

Already published Service Informations :

CORRECTION TO SERVICE MANUAL

- * Correction of parts list (Page 14-2) for **MAIN UNIT:**
Add 1106 3139 118 77600 Module MPEG99 Board
Change 0108 4822 454 13408 Badge Philips /21M
- * Correction of circuit drawing and parts list for **SERVO Board:**
Delete 3855, 3856, 3857
- * Correction of circuit drawing and parts list for **MPEG Board:**
Delete 4205
- * Page 6-5: Due to some error, the Karaoke Part - Circuit Diagram is enclosed.

ADDITION TO SERVICE MANUAL

- * Selected spare parts are now available for the Left & Right Loudspeaker Boxes.

4822 240 10364 Woofer 5,25" 6R 50W
4822 240 10365 Tweeter 2,5" 6R 10W
9965 000 01067 Cloth Frame Assembly
- * Selected spare parts are now available for the Surround Speaker Boxes.

4822 240 10374 Speaker 3" 6R 7W /21K

CHANGES DURING PRODUCTION

SERVO BOARD

- * From production week 9948 onwards the following has been changed to solve 3M radiation (36MHz) problem.

Add 2853 4822 122 33519 470pF 10% 50V
- * From production week 9948 onwards pt.2 Board (identified by the last digit of the 12NC - 3139 113 33782) is introduced.

Reason : To prevent digital ground of Video out PCB shorting to main chassis.

Delete 9000, 9042 Bare wires

- * From production week 0006 onwards pt.3 Board (identified by the last digit of the 12NC - 3139 113 33783) is introduced. For this reason new layout and circuit drawing are enclosed.

Reason : To ensure Video out PCB does not hit the flange of the transformer in other application.

- * From production week 0015 onwards the following has been changed to improve CDR readability (TOC).

Change 2823 4822 122 33197 1nF 10% 50V
2870 4822 126 12148 2,7nF 10%

- * From production week 0015 onwards the following has been changed to reduce servo noise in other application.

Add 2801 4822 124 81286 47µF 20% 16V
2811 4822 124 81286 47µF 20% 16V
2814 4822 124 41796 22µF 20% 16V
2840 4822 124 40433 47µF 20% 25V

MPEG BOARD

- * From production week 9950 onwards the software of the main processor IC (7202) has been upgrade to VER.12.

Change 7202 9965 000 02715 ICAT27C020-12PC-V12

- * From production week 9952 onwards pt.3 Board (identified by the last digit of the 12NC - 3139 113 34073) is introduced. For this reason new layout and circuit drawing are enclosed.

Reason : To solve FM Terminal voltage problem.

Add 3212 4822 051 30101 100R 5% 0,062W
Change 7210 9332 592 40126 BC368
Delete 3219, 3234, 3235, 3236, 3237, 3238, 3241, 3242, 3243, 3244, 3245

- * From production week 0014 onwards the following has been changed for better ESD performance.

Change 2268 4822 122 31765 100pF 2% 63V

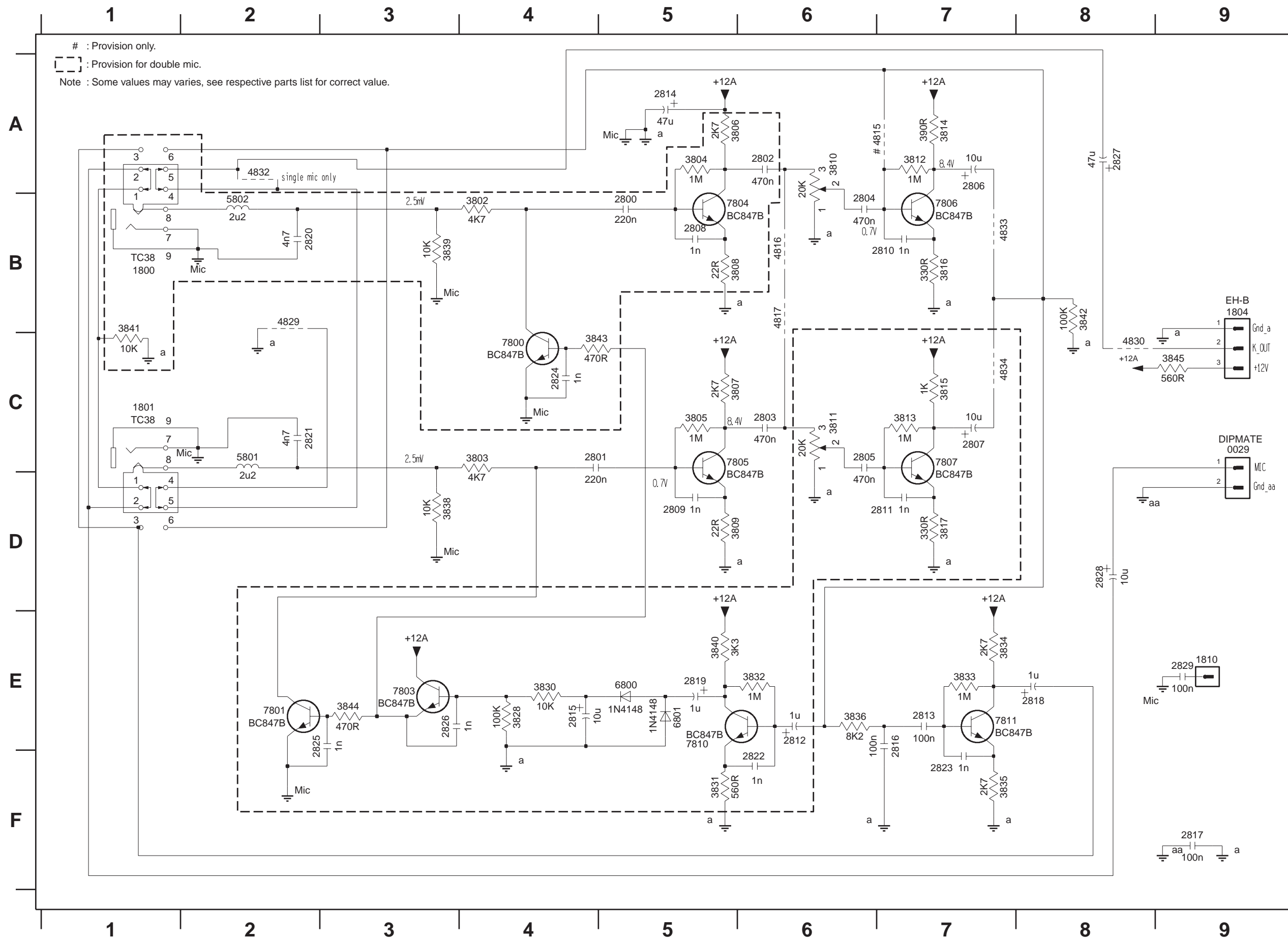
(P.T.O.)

* From production week 0015 onwards the following has been changed to reduce servo noise in other application.

Delete 2244

FRONT BOARD

KARAOKE PART - CIRCUIT DIAGRAM

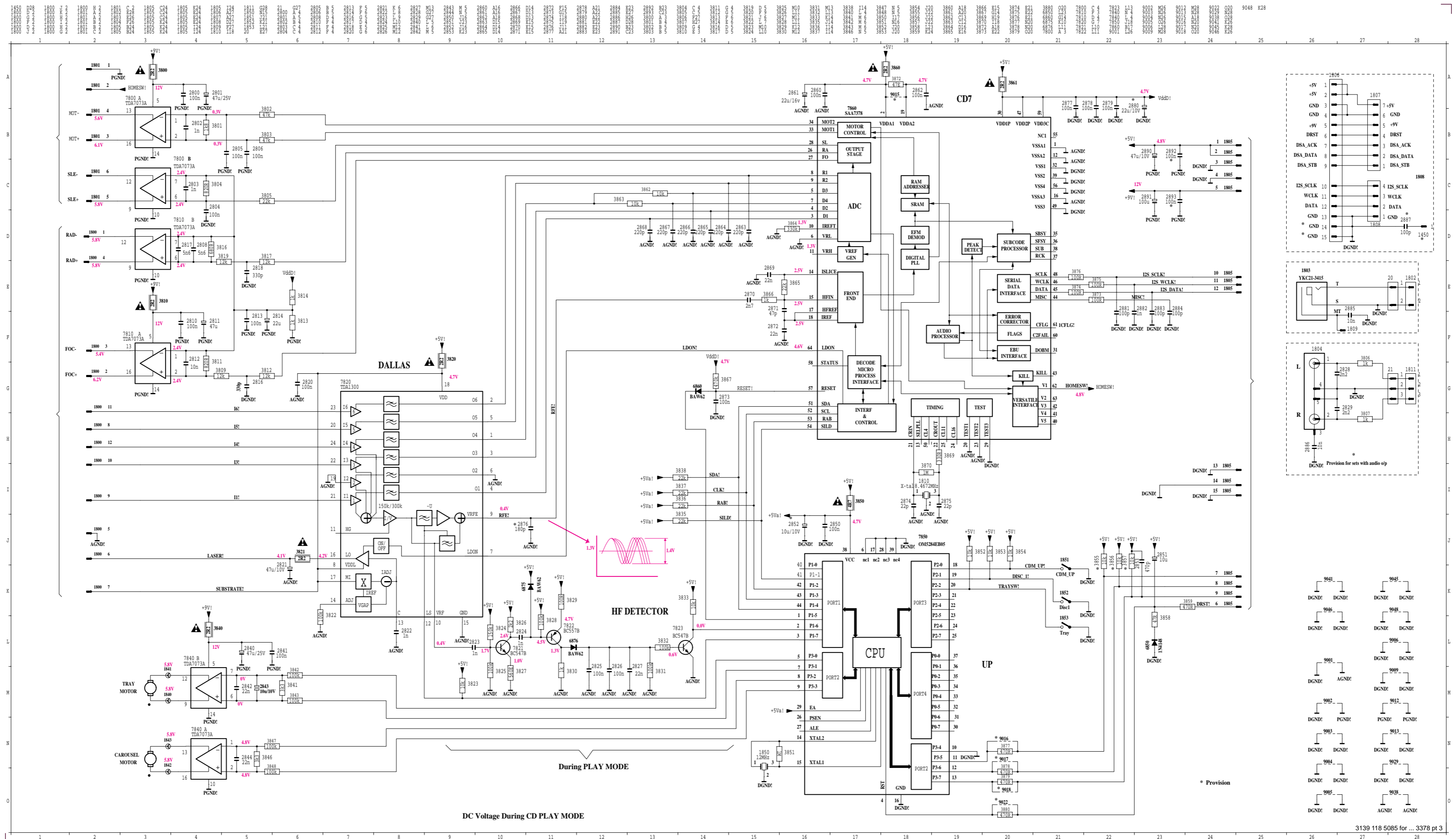


0029 C9	4815 A7
1800 B1	4816 B6
1801 C1	4817 B6
1804 B9	4829 B2
1810 E9	4830 C8
2800 B5	4832 A2
2801 C4	4833 B7
2802 A6	4834 C7
2803 C6	5801 C2
2804 B6	5802 B2
2805 C6	6800 E5
2806 A7	6801 E5
2807 C7	7800 C4
2808 B5	7801 E2
2809 D5	7803 E3
2810 B7	7804 B5
2811 D7	7805 C5
2812 E6	7806 B7
2813 E7	7807 C7
2814 A5	7810 E5
2815 E4	7811 E7
2816 E7	
2817 F9	
2818 E8	
2819 E5	
2820 B2	
2821 C2	
2822 F6	
2823 F7	
2824 C4	
2825 E2	
2826 E3	
2827 A8	
2828 D8	
2829 E9	
3802 B4	
3803 C4	
3804 A5	
3805 C5	
3806 A5	
3807 C5	
3808 B5	
3809 D5	
3810 A6	
3811 C6	
3812 A7	
3813 C7	
3814 A7	
3815 C7	
3816 B7	
3817 D7	
3828 E4	
3830 E4	
3831 F5	
3832 E6	
3833 E7	
3834 E7	
3835 F7	
3836 E6	
3838 D3	
3839 B3	
3840 E5	
3841 B1	
3842 B8	
3843 C4	
3844 E3	
3845 C9	

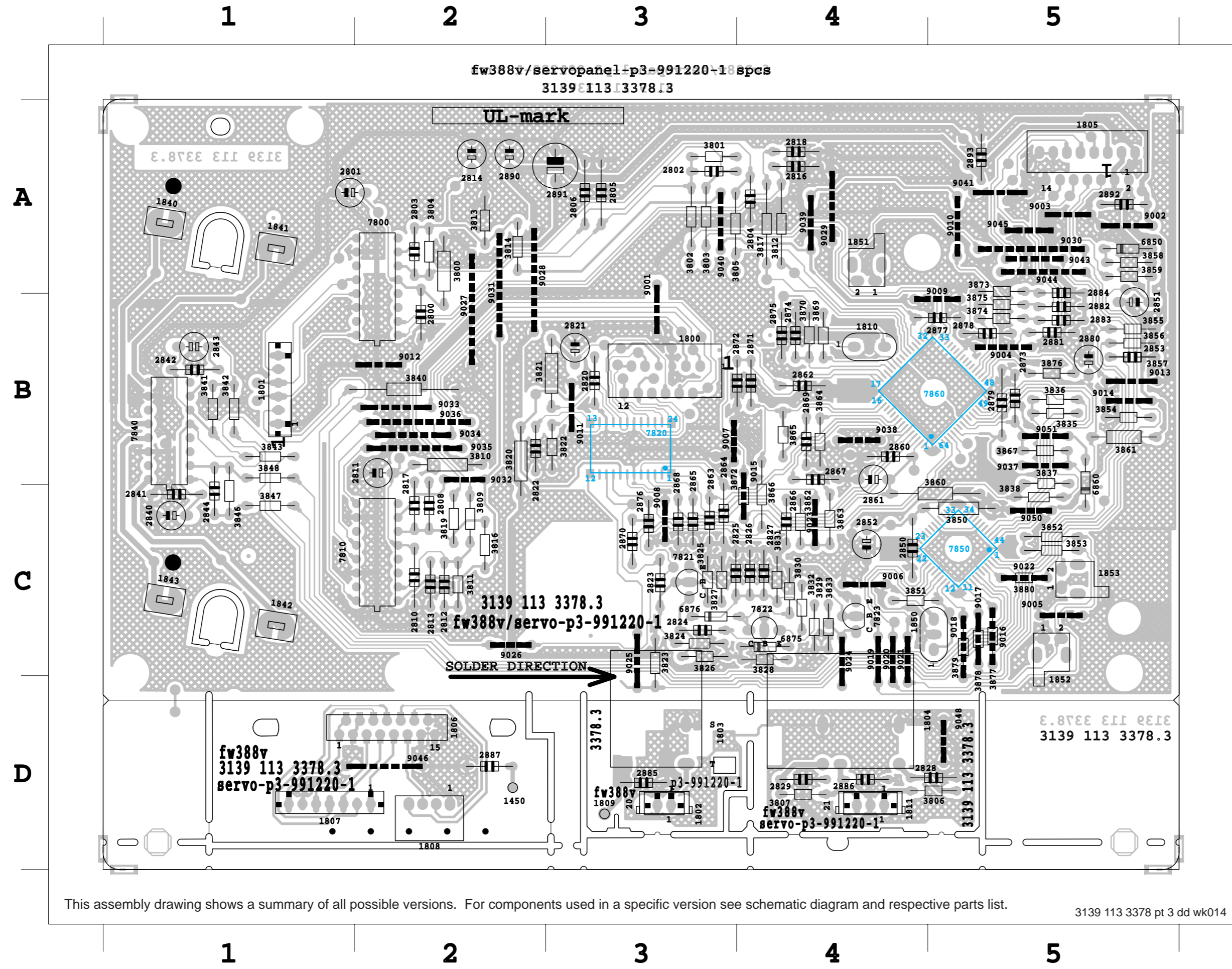
----- **BLANK PAGE** -----
DO NOT PRINT

3-VCD MODULE

SERVO CIRCUIT DIAGRAM



SERVO COMPONENT LAYOUT



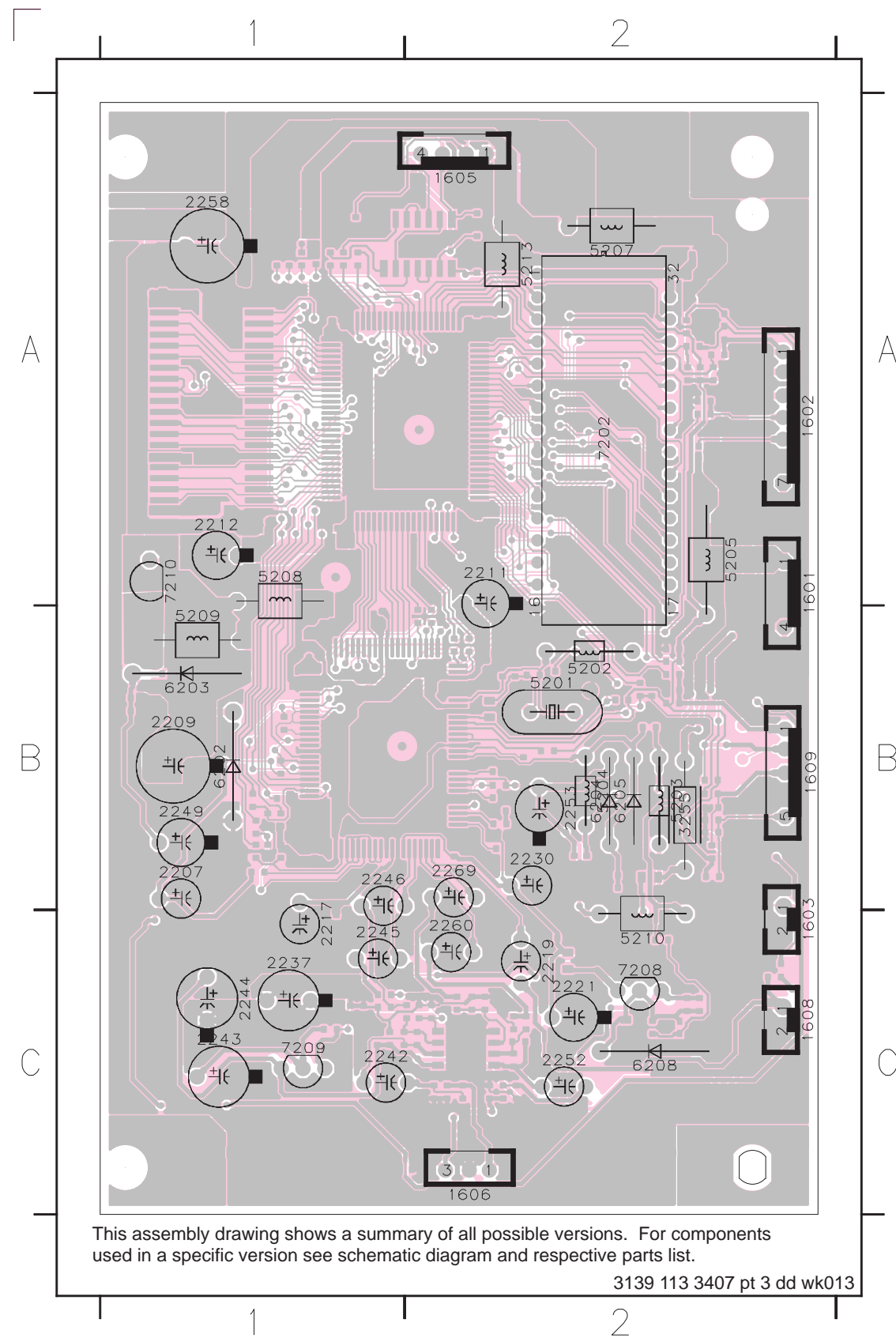
20 D 3	2860 B 4	3829 C 4	9001 B 3
21 D 4	2861 B 4	3830 C 4	9002 A 5
1450 D 2	2862 B 4	3831 C 4	9003 A 5
1800 B 3	2863 C 3	3832 C 4	9004 B 5
1801 B 1	2864 C 3	3833 C 4	9007 B 3
1802 D 3	2865 C 3	3835 B 5	9008 C 3
1803 D 3	2866 C 4	3836 B 5	9009 B 5
1804 D 4	2867 B 4	3837 B 5	9010 A 5
1805 A 5	2868 C 3	3838 C 5	9011 B 3
1806 D 2	2869 B 4	3840 B 2	9012 B 2
1807 D 1	2870 C 3	3841 B 1	9013 B 5
1808 D 2	2871 B 4	3842 B 1	9014 B 5
1809 D 3	2872 B 4	3843 B 1	9015 C 4
1810 B 4	2873 B 5	3846 C 1	9016 C 5
1811 D 4	2874 B 4	3847 C 1	9017 C 5
1840 A 1	2875 B 4	3848 B 1	9018 C 5
1841 A 1	2876 C 3	3850 C 5	9019 C 4
1842 C 1	2877 B 5	3851 C 4	9020 C 4
1843 C 1	2878 B 5	3852 C 5	9021 C 4
1850 C 5	2879 B 5	3853 C 5	9022 C 5
1851 A 4	2880 B 5	3854 B 5	9023 C 4
1852 C 5	2881 B 5	3855 B 5	9024 C 4
1853 C 5	2882 B 5	3856 B 5	9025 C 3
2800 B 2	2883 B 5	3857 B 5	9026 C 2
2801 A 1	2884 A 5	3858 A 5	9027 B 2
2802 A 3	2885 D 3	3859 A 5	9028 A 2
2803 A 2	2886 D 4	3860 C 5	9029 A 4
2804 A 4	2887 D 2	3861 B 5	9030 A 5
2805 A 3	2890 A 2	3862 C 4	9031 A 2
2806 A 3	2891 A 3	3863 C 4	9032 B 2
2808 C 2	2892 A 5	3864 B 4	9033 B 2
2810 C 2	2893 A 5	3865 B 4	9034 B 2
2811 B 2	3800 A 2	3866 C 4	9035 B 2
2812 C 2	3801 A 3	3867 B 5	9036 B 2
2813 C 2	3802 A 3	3869 B 4	9037 B 5
2814 A 2	3803 A 3	3870 B 4	9039 A 4
2816 A 4	3804 A 2	3872 C 4	9040 A 3
2817 C 2	3805 A 3	3873 A 5	9041 A 5
2818 A 4	3806 D 5	3874 B 5	9043 A 5
2820 B 3	3807 D 4	3875 B 5	9044 A 5
2821 B 3	3809 C 2	3876 B 5	9045 A 5
2822 B 2	3810 B 2	3877 C 5	9046 D 2
2823 C 3	3811 C 2	3878 C 5	9050 C 5
2824 C 3	3812 A 4	3879 C 5	9051 B 5
2825 C 3	3813 A 2	3880 C 5	----
2826 C 4	3814 A 2	6850 A 5	9005 C 5
2827 C 4	3816 C 2	6860 B 5	9006 C 4
2828 D 5	3817 A 4	6875 C 4	9038 B 4
2829 D 4	3819 C 2	6876 C 2	9047 D 3
2840 C 1	3820 B 2	7800 A 2	9048 D 5
2841 C 1	3821 B 3	7810 C 2	
2842 B 1	3822 B 3	7820 B 3	
2843 B 1	3823 C 3	7821 C 3	
2844 C 1	3824 C 3	7822 C 4	
2850 C 4	3825 C 3	7823 C 4	
2851 B 5	3826 C 3	7840 B 1	
2852 C 4	3827 C 3	7850 C 5	
2853 B 5	3828 C 4	7860 B 5	

This assembly drawing shows a summary of all possible versions. For components used in a specific version see schematic diagram and respective parts list.

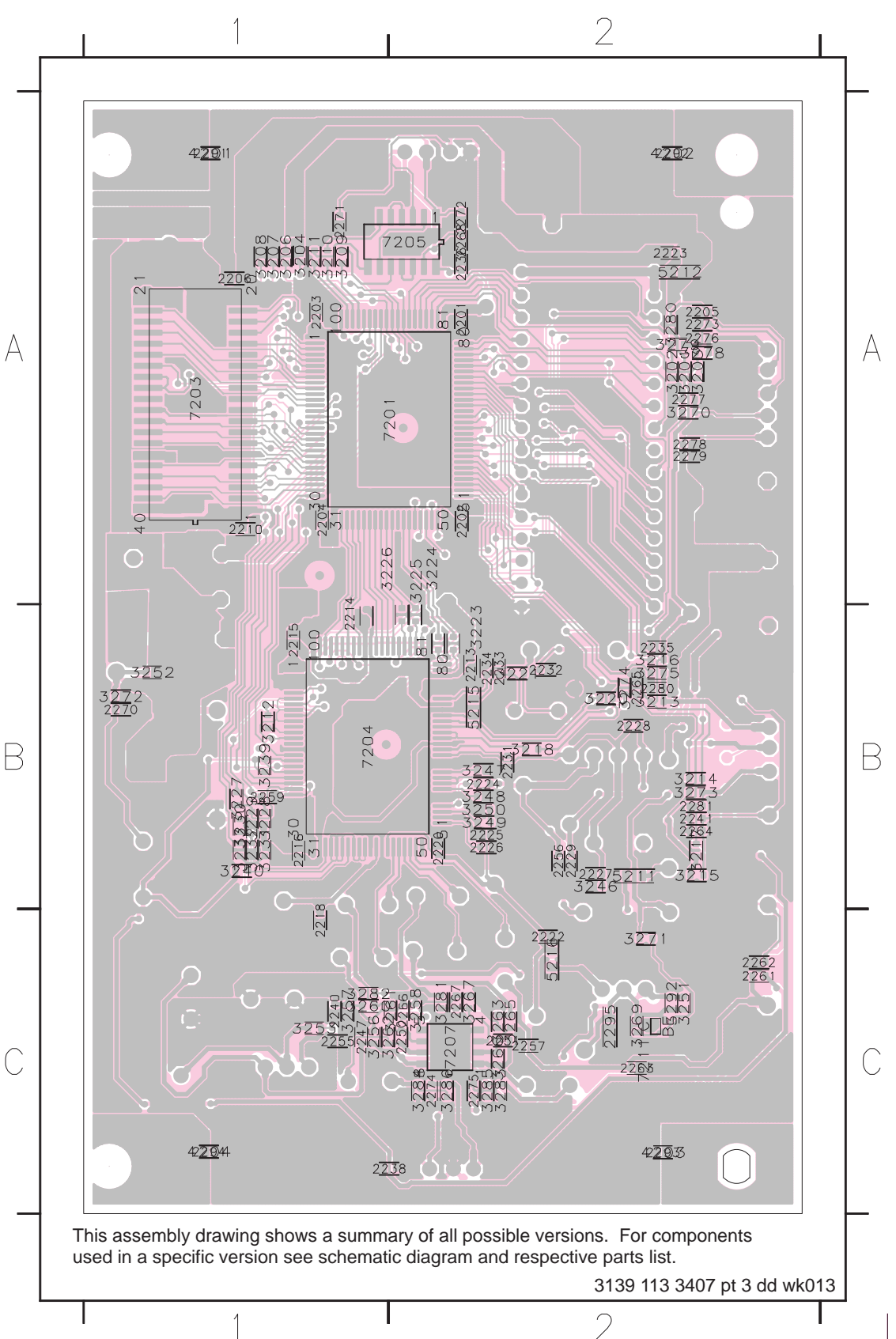
3139 113 3378 pt 3 dd wk014

MPEG-99 BOARD

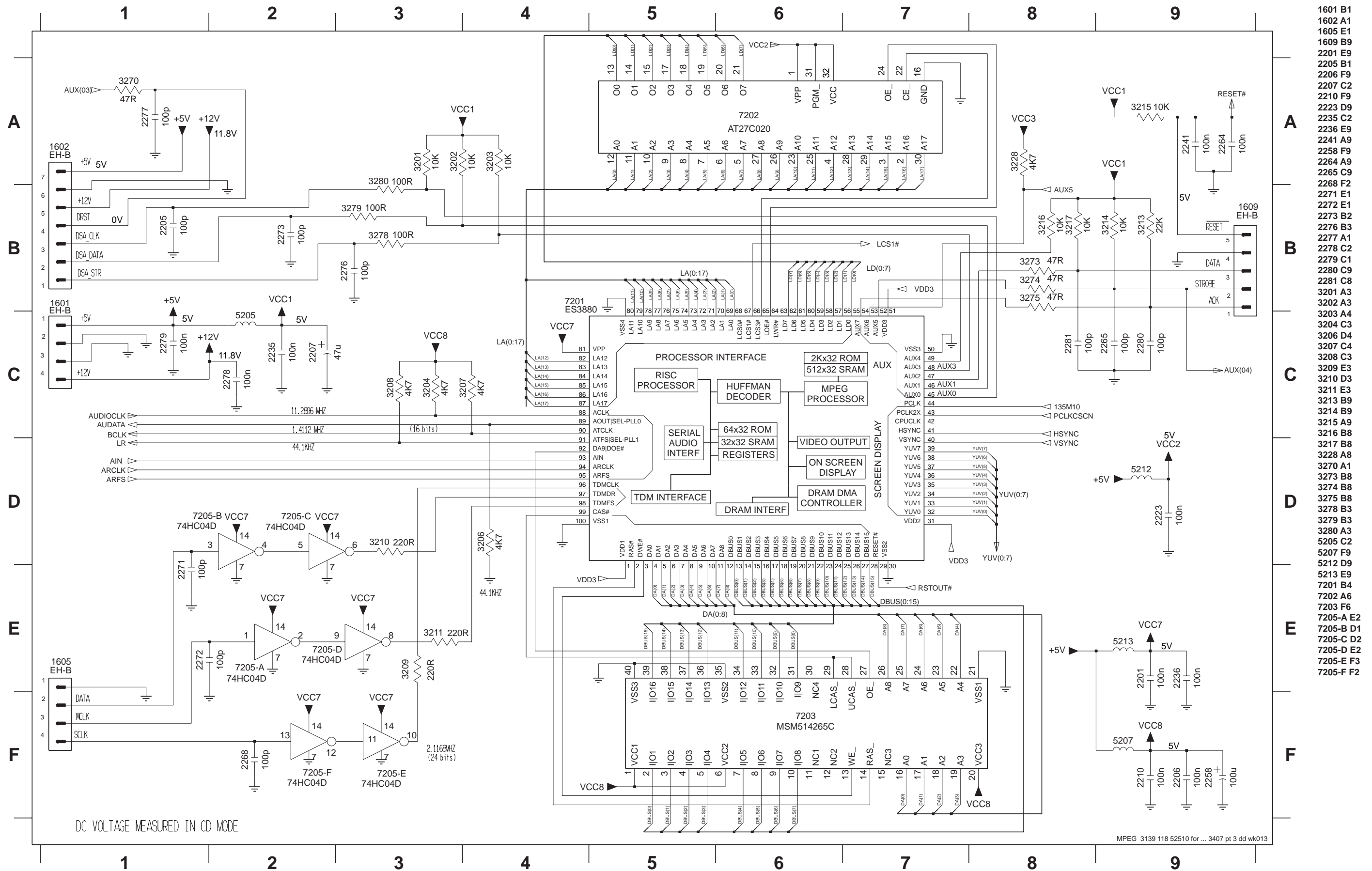
MPEG-99 BOARD LAYOUT



1	A2
2	A2
3	A2
4	A2
5	A2
6	A2
7	A2
8	A2
9	A2
10	A2
11	A2
12	A2
13	A2
14	A2
15	A2
16	A2
17	A2
18	A2
19	A2
20	A2
21	A2
22	A2
23	A2
24	A2
25	A2
26	A2
27	A2
28	A2
29	A2
30	A2
31	A2
32	A2
33	A2
34	A2
35	A2
36	A2
37	A2
38	A2
39	A2
40	A2
41	A2
42	A2
43	A2
44	A2
45	A2
46	A2
47	A2
48	A2
49	A2
50	A2
51	A2
52	A2
53	A2
54	A2
55	A2
56	A2
57	A2
58	A2
59	A2
60	A2
61	A2
62	A2
63	A2
64	A2
65	A2
66	A2
67	A2
68	A2
69	A2
70	A2
71	A2
72	A2
73	A2
74	A2
75	A2
76	A2
77	A2
78	A2
79	A2
80	A2
81	A2
82	A2
83	A2
84	A2
85	A2
86	A2
87	A2
88	A2
89	A2
90	A2
91	A2
92	A2
93	A2
94	A2
95	A2
96	A2
97	A2
98	A2
99	A2
100	A2

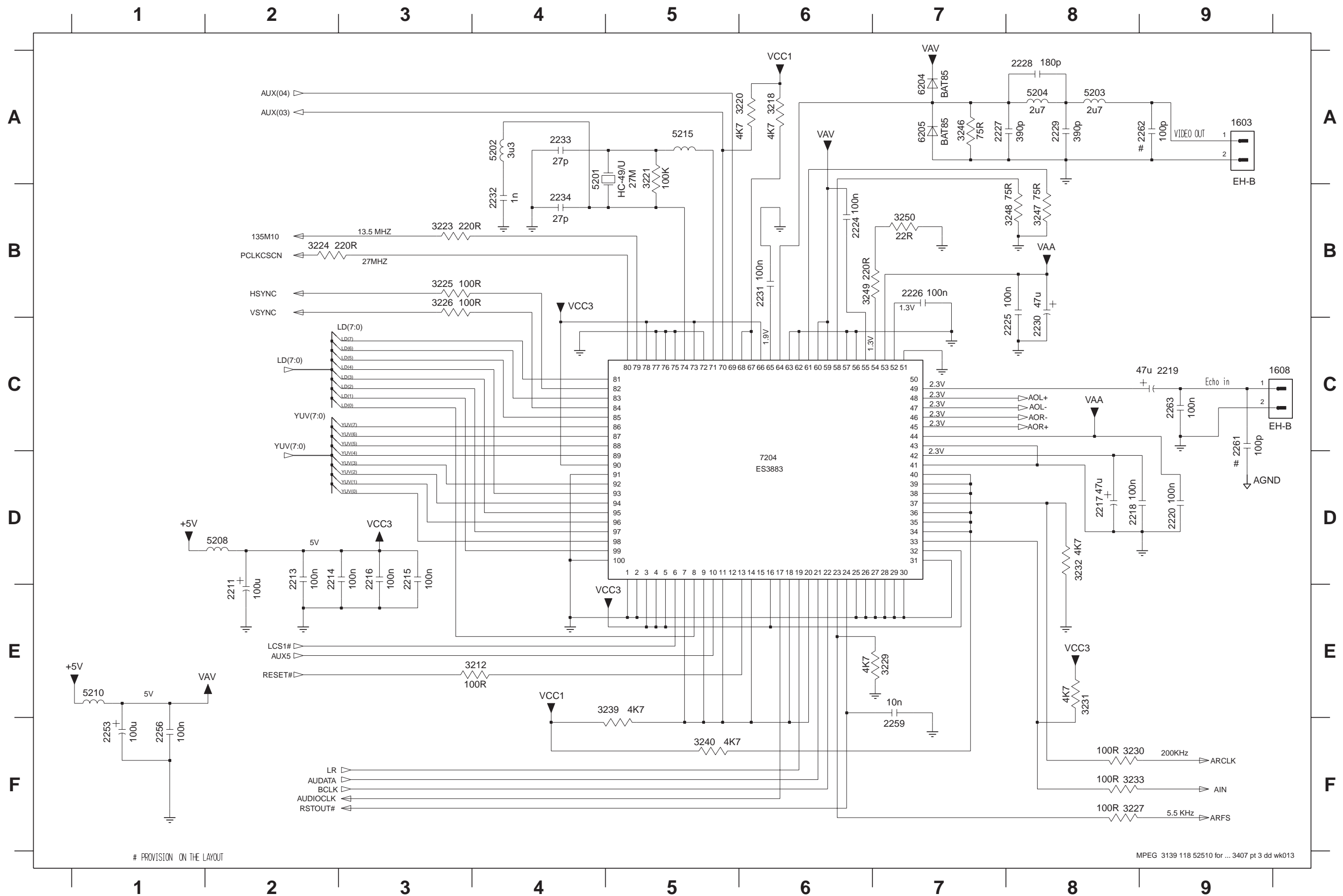


ES3880 CIRCUIT



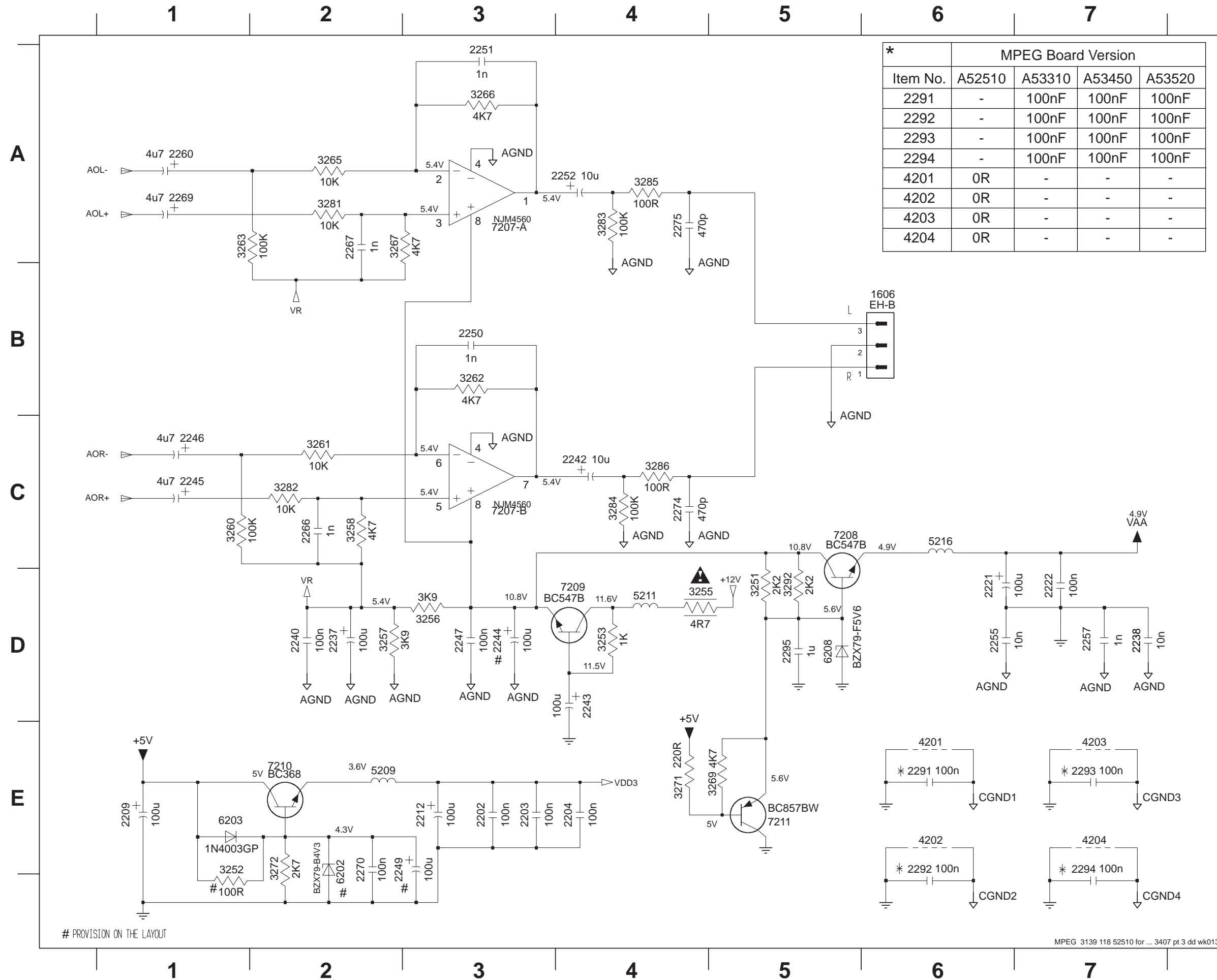
- 1601 B1
- 1602 A1
- 1605 E1
- 1609 B9
- 2201 E9
- 2205 B1
- 2206 F9
- 2207 C2
- 2210 F9
- 2223 D9
- 2235 C2
- 2236 E9
- 2241 A9
- 2258 F9
- 2264 A9
- 2265 C9
- 2268 F2
- 2271 E1
- 2272 E1
- 2273 B2
- 2276 B3
- 2277 A1
- 2278 C2
- 2279 C1
- 2280 C9
- 2281 C8
- 3201 A3
- 3202 A3
- 3203 A4
- 3204 C3
- 3206 D4
- 3207 C4
- 3208 C3
- 3209 E3
- 3210 D3
- 3211 E3
- 3213 B9
- 3214 B9
- 3215 A9
- 3216 B8
- 3217 B8
- 3218 A8
- 3219 A1
- 3220 B8
- 3221 B8
- 3222 B3
- 3223 B3
- 3224 B3
- 3225 B3
- 3226 B3
- 3227 B3
- 3228 B3
- 3229 B3
- 3230 B3
- 3231 B3
- 3232 B3
- 3233 B3
- 3234 B3
- 3235 B3
- 3236 B3
- 3237 B3
- 3238 B3
- 3239 B3
- 3240 B3
- 3241 B3
- 3242 B3
- 3243 B3
- 3244 B3
- 3245 B3
- 3246 B3
- 3247 B3
- 3248 B3
- 3249 B3
- 3250 B3
- 3251 B3
- 3252 B3
- 3253 B3
- 3254 B3
- 3255 B3
- 3256 B3
- 3257 B3
- 3258 B3
- 3259 B3
- 3260 B3
- 3261 B3
- 3262 B3
- 3263 B3
- 3264 B3
- 3265 B3
- 3266 B3
- 3267 B3
- 3268 B3
- 3269 B3
- 3270 B3
- 3271 B3
- 3272 B3
- 3273 B3
- 3274 B3
- 3275 B3
- 3276 B3
- 3277 B3
- 3278 B3
- 3279 B3
- 3280 B3
- 3281 B3
- 3282 B3
- 3283 B3
- 3284 B3
- 3285 B3
- 3286 B3
- 3287 B3
- 3288 B3
- 3289 B3
- 3290 B3
- 3291 B3
- 3292 B3
- 3293 B3
- 3294 B3
- 3295 B3
- 3296 B3
- 3297 B3
- 3298 B3
- 3299 B3
- 3300 B3

ES3883 CIRCUIT



- 1603 A9
- 1608 C9
- 2211 E2
- 2213 D2
- 2214 D2
- 2215 D3
- 2216 D3
- 2217 D8
- 2218 D8
- 2219 C9
- 2220 D9
- 2224 B6
- 2225 C7
- 2226 B7
- 2227 A7
- 2228 A8
- 2229 A8
- 2230 C8
- 2231 B6
- 2232 B4
- 2233 A4
- 2234 B4
- 2253 F1
- 2256 F1
- 2259 F7
- 2261 C9
- 2262 A9
- 2263 C9
- 3212 E4
- 3218 A6
- 3220 A5
- 3221 A5
- 3223 B3
- 3224 B2
- 3225 B3
- 3226 B3
- 3227 F8
- 3229 E7
- 3230 F8
- 3231 E8
- 3232 D8
- 3233 F8
- 3239 E5
- 3240 F5
- 3246 A7
- 3247 B8
- 3248 B8
- 3249 B6
- 3250 B7
- 5201 A4
- 5202 A4
- 5203 A8
- 5204 A8
- 5208 D2
- 5210 E1
- 5215 A5
- 6204 A7
- 6205 A7
- 7204 D6

AUDIO CIRCUIT



- 1606 B6
- 2202 E3
- 2203 E3
- 2204 E4
- 2209 E1
- 2212 E3
- 2221 D6
- 2222 D7
- 2237 D2
- 2238 D7
- 2240 D2
- 2242 C4
- 2243 D4
- 2244 D3
- 2245 C1
- 2246 C1
- 2247 D3
- 2249 E2
- 2250 B3
- 2251 A3
- 2252 A4
- 2255 D6
- 2257 D7
- 2260 A1
- 2266 C2
- 2267 A2
- 2269 A1
- 2270 E2
- 2274 C4
- 2275 A4
- 2291 E6
- 2292 E6
- 2293 E7
- 2294 E7
- 2295 D5
- 3251 D5
- 3252 E1
- 3253 D4
- 3255 D4
- 3256 D3
- 3257 D2
- 3258 C2
- 3260 C1
- 3261 C2
- 3262 B3
- 3263 A1
- 3265 A2
- 3266 A3
- 3267 A2
- 3269 E5
- 3271 E4
- 3272 E2
- 3281 A2
- 3282 C2
- 3283 A4
- 3284 C4
- 3285 A4
- 3286 C4
- 3292 D5
- 4201 E6
- 4202 E6
- 4203 E7
- 4204 E7
- 5209 E2
- 5211 D4
- 5216 C6
- 6202 E2
- 6203 E1
- 6208 D5
- 7207-A A3
- 7207-B C3
- 7208 C5
- 7209 D4
- 7210 E2
- 7211 E5